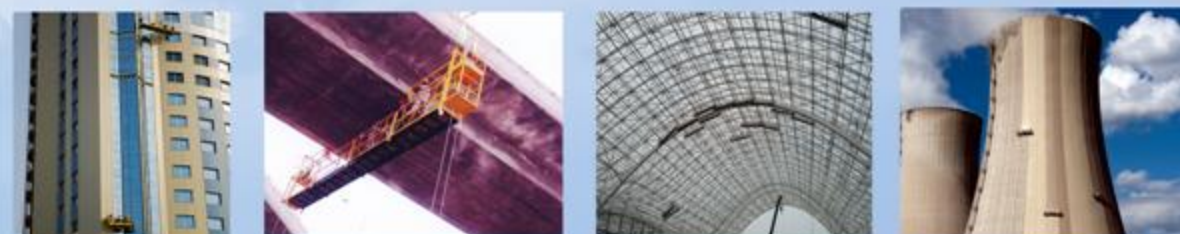


Our company will keep the right of changing colors and appearances of Little Swan machines,
Welcome to contact us for new products and more details.



无锡市小天鹅建筑机械有限公司
WUXI LITTLE SWAN BUILDING MACHINERY CO.,LTD



SUSPENDED ROPE PLATFORM
2015 . INDIA

无锡市小天鹅建筑机械有限公司

WUXI LITTLE SWAN BUILDING MACHINERY CO.,LTD

Add:55 Huiqian Road,Wuxi Jiangsu,China

Tel:+86-510-83708365 83703500

Fax:+86-510-83705102

Web:www.suspended-access.com



www.suspended-access.com

OUR COMPANY



We are on the **top list** in China for suspended rope platforms manufacturing since last 24 years.

◆ "AAA Grade credit enterprise" honored by CCMA. (China Construction Machinery Association.)

◆ German quality, CE certification- Cooperating with German company Dual-Lift, our products quality have been approved in European market since last 8 years.

◆ ISO9001: 2000 Certification –We strictly comply with the ISO9001:2000 certification to organize the suspended platform production.

◆ 24 years manufacturing experience, high reputation for safety , reliability and specialization.

No accident record in the market, A lot of honors such as National Customer Satisfactory Product and Chinese User Trustful Unit in the last 12 years. Rewarded as various patents for safety lock , electrical hoist in China.

◆ Complete set of testing equipments — every machine' s safety before shipment can be assured.

◆ Various advanced manufacturing machines— All of the key parts are manufactured by ourselves, which allows us stay ahead of our competitors by offering unmatched quality of products

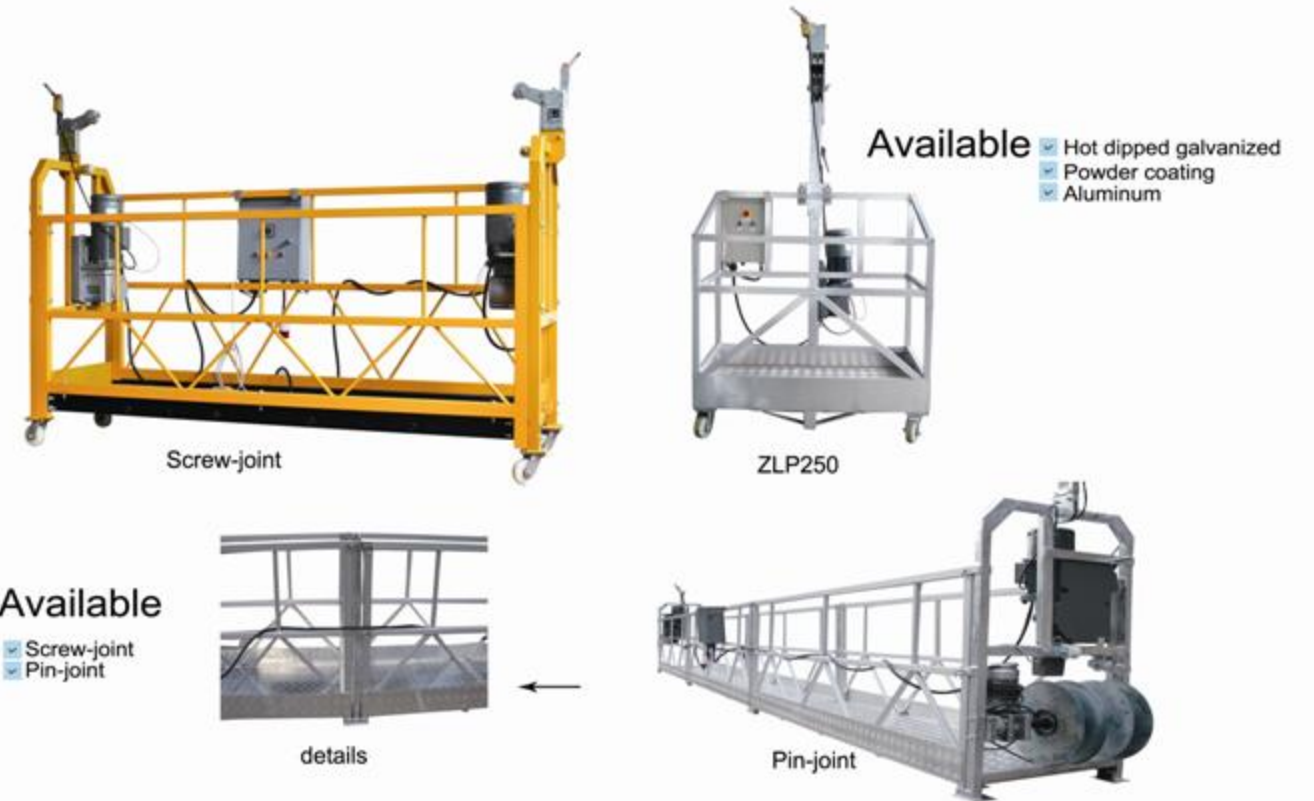
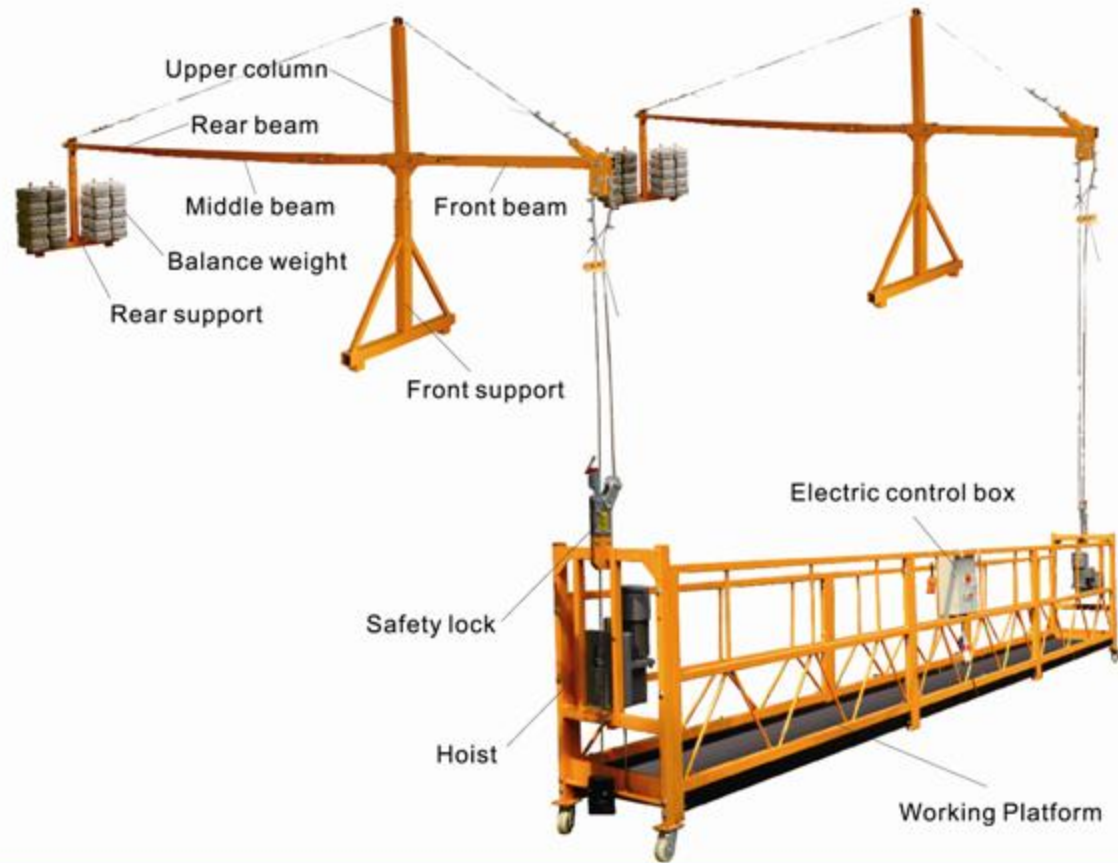
◆ National standard Establisher for Chinese suspended rope platform—In 1990s, we were nominated by Chinese government to set up the national standard of manufacturing suspended platform.

◆ Low maintenance cost , especially good for rental clients—Reliable structure (good design) on the hoist&safety lock achieves the low maintenance cost, especially rental clients will benefit a lot.

◆ Powerful designing ability –With Our own lab center, with 10 members designing team, we have the abilities to offer customized solutions as per clients' specification.







Suspended rope platform (SRP) is a kind of wire rope lifting equipment. It has been widely used on high-rise buildings' work, such as window cleaning, wall construction, decoration or conducting repairs to the exterior of buildings. A good choice to replace scaffold in some working places.

Also in some special industrial areas, it has very excellent performance, such as construction and maintenance for chimney, bridges, large dams, big size tanks, etc.

Model	ZLP1000	ZLP800	ZLP1000A	ZLP800A	ZLP630	ZLP500	ZLP250
Rated load(kg)	1000	800	1000	800	630	500	250
Lifting speed(m/min)	8-10	8-10	8-10	9-11	9-11	9-11	9-11
Voltage(V)	380V/415V/220V		380V/415V/220V		380V/415V/220V		380V/415V/220V
Frequency(Hz)	50Hz/60Hz	50Hz/60Hz	50Hz/60Hz	50Hz/60Hz	50Hz/60Hz	50Hz/60Hz	50Hz/60Hz
Power(kw)	2.2×2	2.2×2	1.8×2	1.8×2	1.5×2	1.1×2	1.1×1
Hoist	LTD100	LTD80	LTD100A	LTD80A	LTD63	LTD50	LTD50
Safety lock	LSF30A	LSF30	LSF30C	LSF30A	LSF30	LSF30	LSL30
Wire rope	6×19W+IWS-9.1	6×19W+IWS-8.3	4×31SW+FC-10.2	4×31SW+FC-9.1	4×31SW+FC-8.3	4×31SW+FC-8.3	4×31SW+FC-8.3
Platform size (m)	7.5x0.76x1.45	7.5x0.76x1.45	7.5x0.76x1.42	7.5x0.76x1.42	6x0.76x1.42	5x0.76x1.42	1.2x0.65x2.3
Suspension weight(kg)	350	350	350	350	350	350	175
Platform weight(kg)	538	538	468	468	410	375	190
	424	424	354	354	320	290	130
Quantity of package/20'	8	8	8	8	10	12	13



Type	LTD100A	LTD80A	LTD63	LTD50
Rated Lifting Force(kn)	10	8	6.3	5
Rated Lifting Speed(m/min)	8.8	9.3	9.3	9.3
Diameter Of Wire Rope(mm)	10.2	9.1	8.3	8.3
Braking torque(N.m)	15	15	15	15
Power(kw)	1.8	1.8	1.5	1.1
Weight(kg)	52	52	51	50
Overall Dimension(mm)	580x300x252	580x300x252	595x300x216	595x300x216



No.1 for Rental clients



Type	LTD100	LTD80
Rated Lifting Force(kn)	10	8
Rated Lifting Speed(m/min)	9	9
Diameter Of Wire Rope(mm)	9.1	8.3
Braking torque(N.m)	15	15
Power(kw)	2.2	2.2
Weight(kg)	85	85
Overall Dimension(mm)	700x370x320	700x370x320



When the platform drops due to the working rope breaking or other trouble, the safety lock will locks the safety rope automatically.



LSL30 centrifugal type

Type	LSL30	LSL30A	LSL30C	LSL20
Configuration	Centrifugal Speed-Limit			
Diameter Of Rope(mm)	8.3	9.1	10.2	8.3
Permissible Force Impact(KN)	30	30	30	20
Locking Distance In the Event Of Breaking Of Rope(mm)	<200	<200	<200	<200
Rope Locking Speed(m/min)	15-30	15-30	15-30	15-30



LSF30 Anti-tilt type

If the suspended platform tilts or the working rope breaks, the safety lock will automatically locks the safety rope at the set locking angle. This product is feature of long work life , it is the national patent product. Patent No.: 97207226-8 97307243-1.

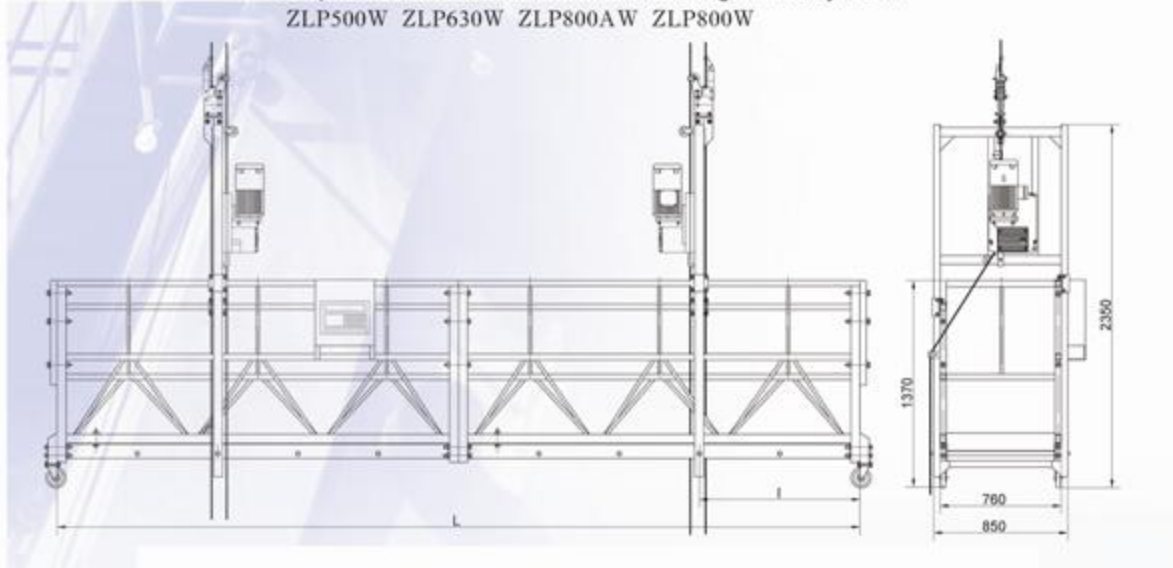
Type	LSF30	LSF30A	LSF30	LSF20
Configuration	Anti-Tilt			
Diameter Of Rope(mm)	8.3	9.1	10.2	8.3
Permissible Force Impact(KN)	30	30	30	20
Locking Distance In The Event Of Breaking Of Rope(mm)	<200	<200	<200	<200
Rope Locking Angle	3°-8°	3°-8°	3°-8°	3°-8°



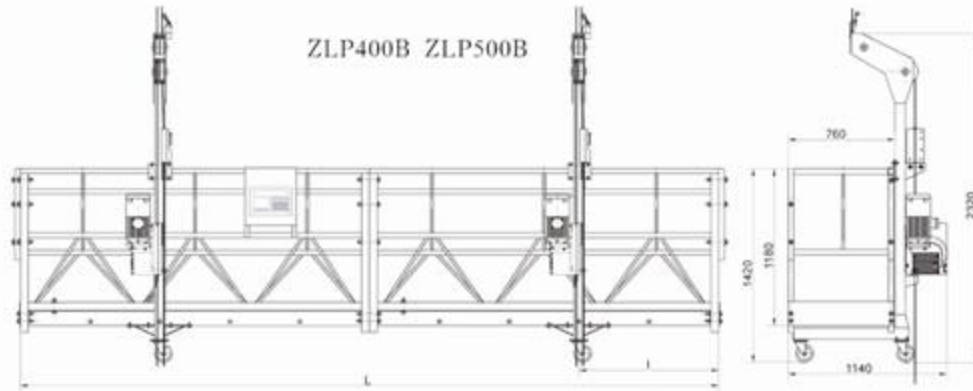
The electrical control system has some protection devices, such as automatic limited switch, leakage protection and so on. All of the key parts are world famous brands, with reliable performance.



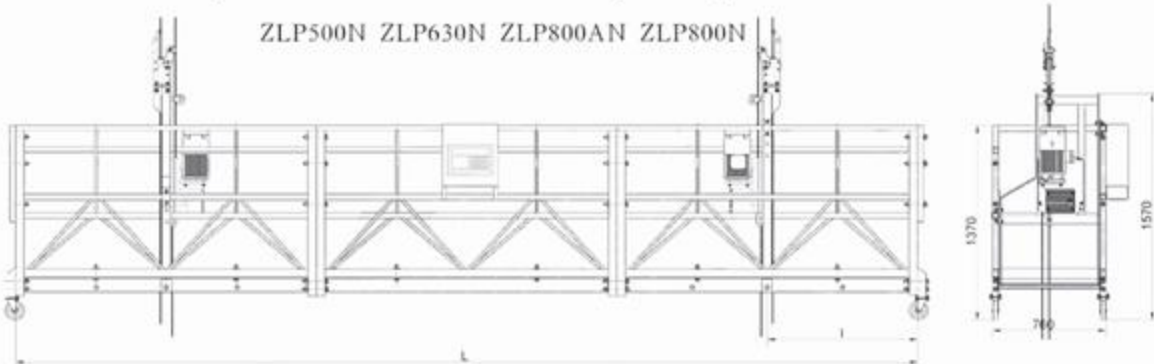
Suspended Platform with External Mounting Assembly Frame
ZLP500W ZLP630W ZLP800AW ZLP800W



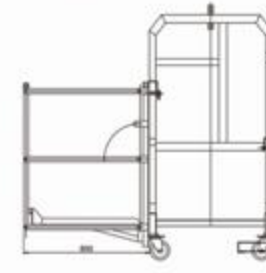
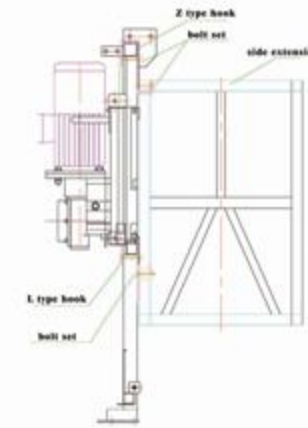
Suspended Platform with Jib Type Assembly Frame
ZLP400B ZLP500B



Suspended Platform with Internal Mounting Assembly Frame
ZLP500N ZLP630N ZLP800AN ZLP800N

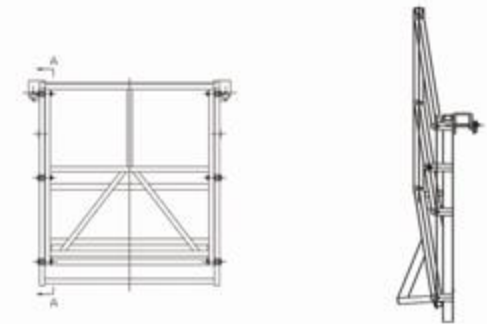
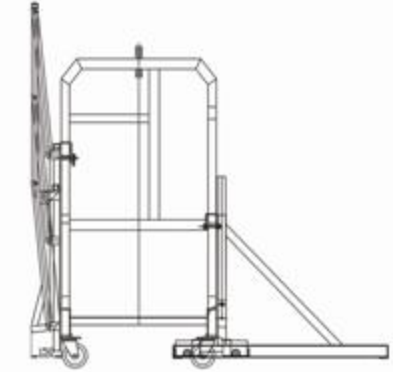


L Shape Suspended Platform
fixed type side extension



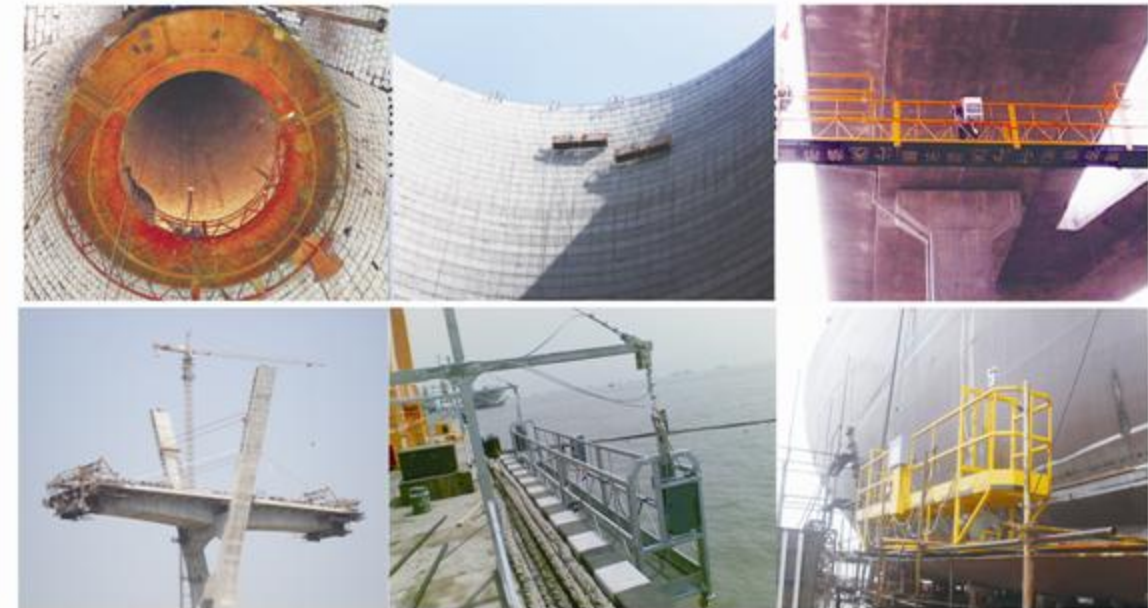
Extension Station

L Shape Suspended Platform
folded type side extension



Open Station

Folded station





Single Mast



Working on worksite

Item	Single Mast	Double Mast
Min./Max. Platform length	4/10M	11/30M
Max. Loading capacity	1450kgs	2000kgs
Lifting speed	6m/min	6m/min
Max. Lifting Height	150m	150m
Wall-support distance	6m	6m
Jib height (working)	6m	6m
Jib height (installation)	15m	15m
Max. Wind Speed	8m/s	8m/s
Overall size &weight		
Leveling standard section size	1.5x1.2x0.65(m)	1.5x1.2x0.65(m)
Leveling standard section weight	106kg	106kg
Standard section size	0.45x0.45x1.508(m)	0.45x0.45x1.508(m)
Standard section weight	99kg	99kg
Base weight	112kg	112kg
Driving unit	91kg	91kg
Electrical parameter		
Driving mechanism	2.2kWx2	2.2kWx4
Power/voltage	380V/50Hz	380V/50Hz
Control power/voltage	220V/50Hz	220V/50Hz
Starting current	52.2A	52.2A
Working current	22A	22A



Wire Winder



Electrical Overload Device



Rack



Safety Rope



Parapet Clamp



Concrete Counterweight



Iron-covered Concrete Counterweight



Wall-support Roller

For Previous Clients who have purchased our suspended platform with "S" hoists since last 10 years, plz contact us by Email for spare parts backup.
sales@suspended-access.com